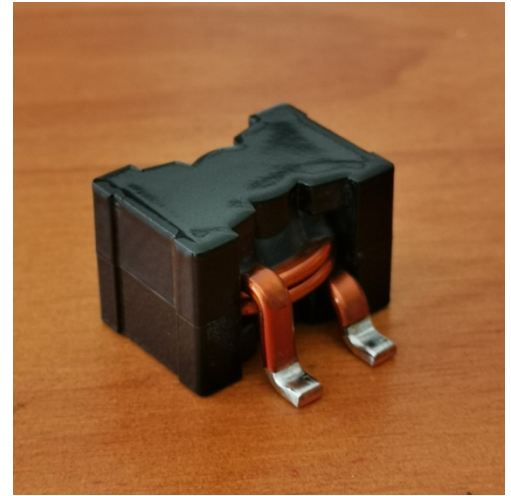


■RS2918B

Features 特点

- Susing flat wire, and SMD type. 采用扁平线，贴片类型
- Low radiation noise by magnetically shielded construction
闭合磁路封装，低辐射
- High current, Low resistance. 大电流，低电阻
- Operating temperature : -40°C--+125°C. 工作温度：-40°C--+125°C
- Tape and reel packaging: -40°C to +80°C 卷带包装：-40°C 至 +80°C
- Resistance to soldering heat Max three 40 second reflows at +260°C,
parts cooled to room temperature between cycles
耐焊接热 最多三个 40 秒回流 +260°C，部件在循环之间冷却至室温
- Moisture Sensitivity Level (MSL) 1 (unlimited floor life at <30°C /
85% relative humidity)
湿气敏感度等级 (MSL) 1 (在 <30°C 时的无限车间寿命/ 85% 相对湿度)



Applications 应用

- high efficiency DC/DC converters. 高效 DC/DC 转换器
- Single and polyphase buck converters. 单相、多相降压转换器
- Filter for audio applications. 音频滤波应用
- Optimized for high current boost applications. 大电流升压应用优化

Electrical characteristics 电气特性

Part number	①Inductance μH ±10%	②DCR 直流电阻 mΩ		③SRF 自谐频率 MHz	④Isat 饱和电流 A typical			⑤Irms 温升电流 A typical	
		typ	max.		10% drop	20% drop	30% drop	20°C rise	40°C rise
RS2918B-1R0K	1.0	0.44	0.48	53	122	124	125	56	86
RS2918B-1R5K	1.5	0.44	0.48	37	85	89	91.8	56	86
RS2918B-3R3K	3.3	0.88	0.97	28	61	68	70	47	58
RS2918B-4R7K	4.7	0.88	0.97	22	43.6	48.2	49.4	47	58
RS2918B-6R8K	6.8	0.88	0.97	18	31.8	37.8	39.2	47	58
RS2918B-100K	10	0.88	0.97	15	22.8	24	25	47	58

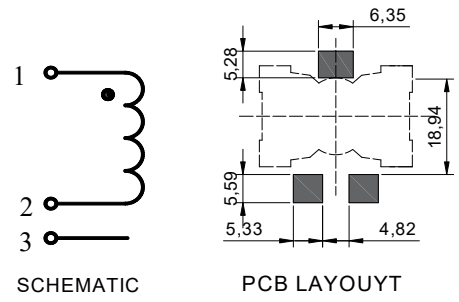
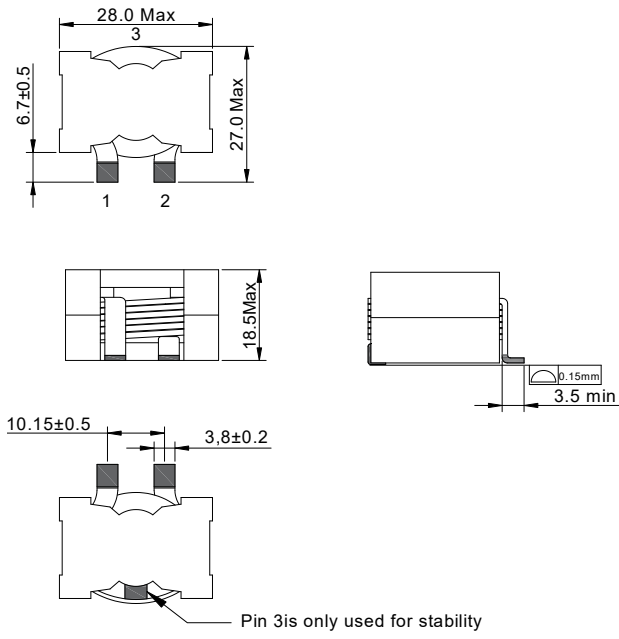
Remark

- ① Inductance is measured with a LCR meter Agilent 4284A or equivalent.
Test frequency at 500kHz
- ② DC resistance is measured with Keithley 580 Milliohm Meter, or equivalent.
Reference ambient temperature 25°C
- ③ SRF measured using an Agilent 4395A network analyzer and an Agilent 16193A test fixture.
- ④ DC current at 25°C that causes the specified Inductance drop from its value without current.
- ⑤ Current that causes the specified temperature rise from 25°C ambient. This information is for reference only and does not represent absolute maximum ratings.
- ⑥ Electrical specifications at 25°C

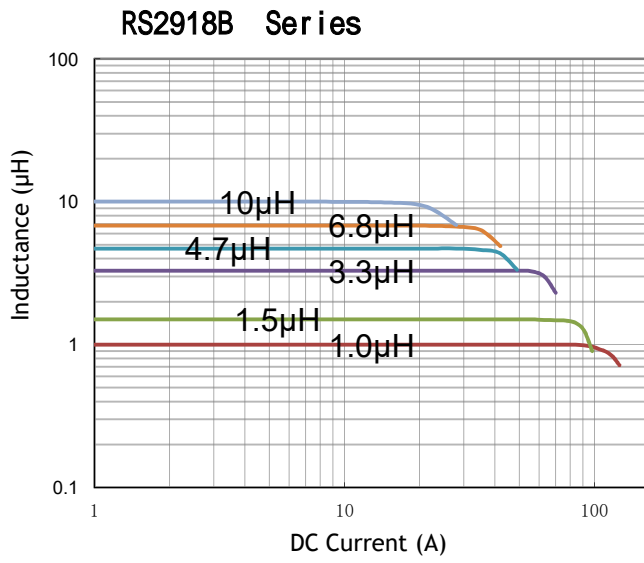
备注

- ① 电感量测试采用 Agilent 4284A 数字电桥或同等仪器；
测试频率 500KHz
- ② 直流电阻测试采用 Keithley 580 毫欧表或同等仪器；
环境温度 25°C
- ③ SRF 使用 Agilent 4395A 网络分析仪和 Agilent 16193A 测试夹具测量。
- ④ 直流电流在 25°C，加载导致指定电感从没有电流的值下降。
- ⑤ 导致指定温度从 25°C 环境温度上升的电流。此信息仅供参考，不代表绝对最大额定值。
- ⑥ 25°C 时的电气规格

Dimensions 结构尺寸

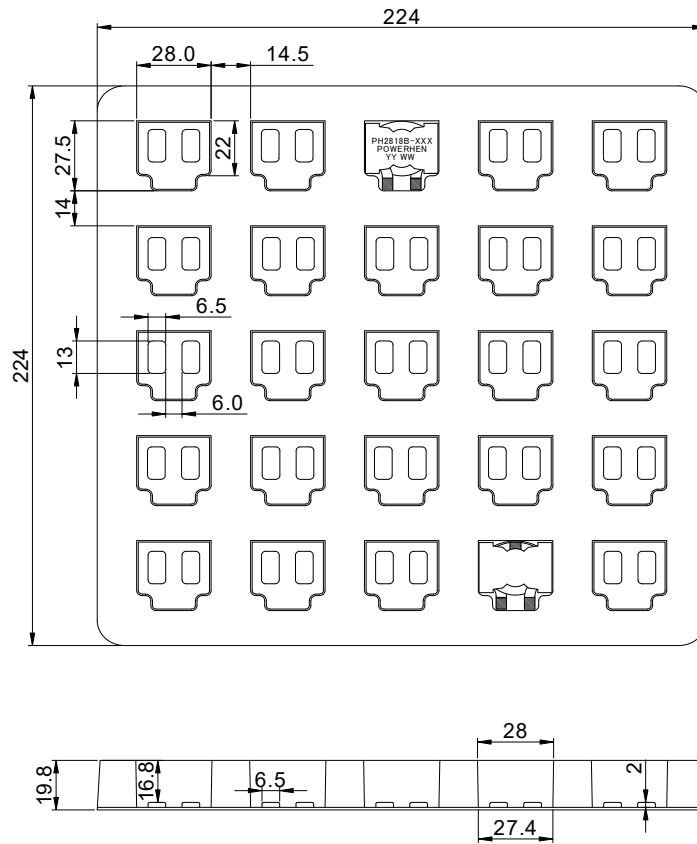


Electrical Characteristic Curve 电气性能曲线



■ Packaging Specification - tray: [mm]

包装规格 - 托盘包装: [mm]



Weight 重量: 38.1g/PCS
Packaging 包装数量: 25 PCS/盘